

Bio-TRACK



Introduction

Bio-Track is one of the finest creation from STAR LINK for Attendance Management system. Packed with latest features, makes this device more reliable and versatile machine. The hand-held design of Bio-Track makes it more useful at construction sites or some other far-off places where connectivity is the problem.

This device features multiple connectivity modes like GRPS, Wi-fi or LAN. Data push technology enables this device to send the data itself to the server as soon as any transaction takes place.

The TFT 3.2" touch screen and joystick of this device makes it more easy to operate, while the battery allows it to be used even if there is power failure. The most interesting feature of Bio track is that it includes color 2MP camera that helps to maintain double layer security.

Bio-TRACK is a splendid device for **Mobile workforce management**.

Features

Memory Transaction: Almost unlimited records storage.

User Capacity: upto 10,000 (Finger + Card / Pin).

Handheld device with sleek design.

Touch screen with joystick for user-interface.

Built-in Color 2MP camera for Capturing Photograph.

Connectivity Modes: GPRS, Wi-Fi, Ethernet, USB.

Data Card GSM can be used through USB port for connectivity.

Global Positioning System(GPS) for location mapping.

Data push technology- Client/Server Mode.

Access Control Ready

Voice guided message in any English/Hindi (message in any other language is optional).

NOTE: Customization Possible (As per the requirement).

Specifications

Processor: 32 Bit RISC micro processor

Memory Transaction: Almost unlimited records Storage in 4GB SD Memory Card

User Capacity: 15,000 (Finger + Card / Pin)

Display: TFT 3.2" 320X240 Graphics Display (48.20mm X 64.88mm)

Identification Time: Less than 1 Sec

User interface: Touch Screen & Joy Stick

Dimension/Weight: L: 182mm H: 155mm W: 45mm/500gms

USB Port Support: USB Pen drive for data transfer/Data Card for Connectivity.

Card Type Contact-less: EM4100 Card (Proximity)/MIFARE(Smart Card)(ISO/IEC 14443A)

Read Range / Frequency: EM Card up to 120mm/125KHz/MIFARE up to 60mm/13.56 MHZ

Communication Method: Ethernet TCP/IP, GPRS, GSM/Wi-Fi

Baud Rate (Selectable): TCP / IP Ethernet 10/100 Mbps

Specifications

Operating Temperature: 0 to 50 degree Celsius

Automatically fetches IP through DHCP (for Wireless connectivity)

Operating Humidity: 10 to 90% Non-condensing

Operating Voltage: DC 12V, 1A Through Adapter (Battery Backup Adaptor Optional)

Visual Indicator: Red / Green LED / Message on LCD in English

Audio Indicators: Voice Guided message (Adjustable volume).

Voiced messages in other Language & Customized audio greetings (Optional)

Fingerprint Scanner

Dedicated 400MHz DSP 2 Mbyte RAM
ISO/IEC 19794 Fingerprint Template
Sensor Technology: Optical CMOS
Sensing Area: 16.0mm × 19.0mm
Image Size (Pixels): 272 × 320
Image Resolution: 500 dpi
Finger Verification Option: 1:N, 1:1
Finger Template Size: 384 bytes.
EER < 0.1%
Enrollment Time: 1~1.5 Sec
Verification < 0.8 Sec
Identification Time: 1~1.5 Sec



Operational Modes

- Only finger
- Only Card
- Card with finger
- Finger in card
- Card with Password
- Pin with Password
- Only PIN



Remote Device Management

Remote Device Management allows us to manage the devices installed at multiple location with ease. Without physical manipulation, Bio-TRACK allows user to do certain things through “web-based management module” which eases the operation of device. Also, you can manage device location wise, dept. wise etc.

- Finger Enrolment from any location
- Addition/Deletion of USER list
- Change password of Device
- Data Deletion
- Date-Time Set
- Sending finger through server
- Multiple location device management
- 2-way communication through Dynamic IP



Data Push Technology

STAR LINK uses the “Data Push Technology” in their systems, which enables the user to collect data without any effort. So, the systems and solutions provided by us, takes very less time to update the data. Devices automatically pushes the data as soon as any data is fed with. This helps to streamline the work-force easily, maintaining the record in simpler way. It also send reports as a mail to maximum of 4 predefined recipients.



In-built Camera for Advance Security

Bio-TRACK comes with in-built camera for advance level of security. Whenever anyone punches their finger-print, irrespective of registered user or unregistered, it clicks the photograph and saves it. It automatically makes the folder with date and saves the images with "date & time" as file name, which eases to bifurcate the transactions of the day. It increases the security and authenticity with its double layer protection.



Other Utilities of Bio-TRACK



GPS for Mobile Workforce Management

When it comes to adopting new technologies into workforce management and automated tracking, STAR LINK proves itself a pioneer.

The latest and most dramatic addition to the attendance system is Global Positioning System (GPS). The GPS enabled attendance system provides real-time location with punching detail of employees. These active GPS system shows the location of the device with geographical (**longitude and latitude**) details.



Student Attendance System

Student Attendance System is a web-based application that helps to manage the attendance records of each student. Student wise, subject wise and course wise; reports will be managed.

- Attendance report of student (daily/monthly)
- Subject wise student's attendance
- Total attendance in every lectures
- Discrepancy report
- Continuous absence report (given date range)
- Student/Course/Subject Master report

*" Online and Web Based
Electronic Student Attendance System "*

STUDENT
ATTENDANCE
SYSTEM

Access Control with Bio-TRACK

Access Control is installed in office premises to restrict the unwanted movements.

Access Control Systems are made up of three important mechanisms: a controller, the locks and the access device.

Bio-TRACK can be used as the access device for successful operation. It also generates "IN and OUT" report for maintenance of records.



Hooter Interface with Bio-TRACK

Hooter interface is used to be connected with alarm or hooter that can be fixed through the biometric device, which is used for attendance. Bio-TRACK can be used for accurate and precise working. It is basically an interface, connected through the port with Bio-TRACK.



Guard Tracking with Bio-TRACK

Bio-TRACK can be used for Guard Tracking application. With its handheld and sleek design, Guard can carry this device with them or it can also be installed at certain check points. GPS plays an active role in this application and Bio-TRACK is a good choice. Each and every records will be maintained daily/monthly.



GPRS/Wi-Fi Connectivity

Bio-TRACK designed by STAR LINK is a GPRS/Wi-Fi enabled biometric attendance machine. It has been designed basically, keeping in mind about the problems faced by major construction companies, other security service providing agencies or for multiple location connectivity. The usage of GPRS/Wi-Fi enabled device will help to streamline the work with ease and channelize the work force.

Reduces Wiring Cost

Eases connectivity

Add/Delete User List

Allow changes in settings

Multiple-location connectivity



Aadhar based Authentication

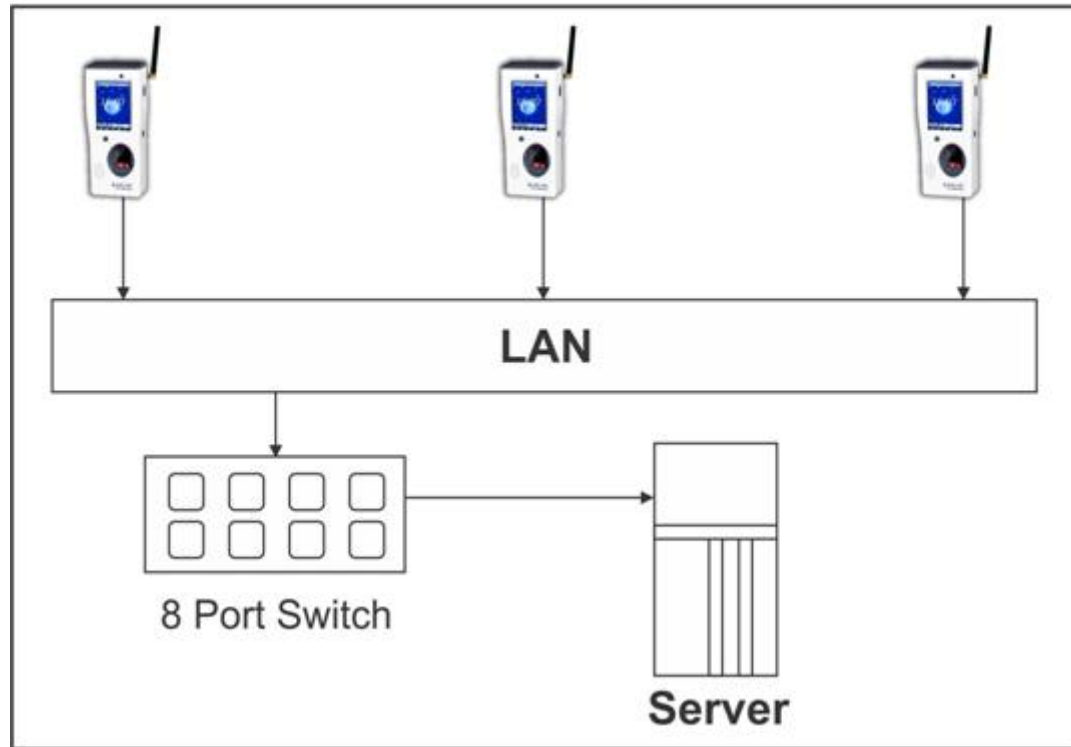
The management of attendance of the employees is a complex but important task, since the presence of officials directly impacts productivity and efficiency.

STAR LINK uses Bio-TRACK as one of the biometric devices in Aadhar Based Authentication process. 1:1 Authentication process with Card/PIN with finger is used to make the system more effective.

Incorporated with different functional and operational modules, this device performs proficiently in Aadhar based authentication and attendance system.

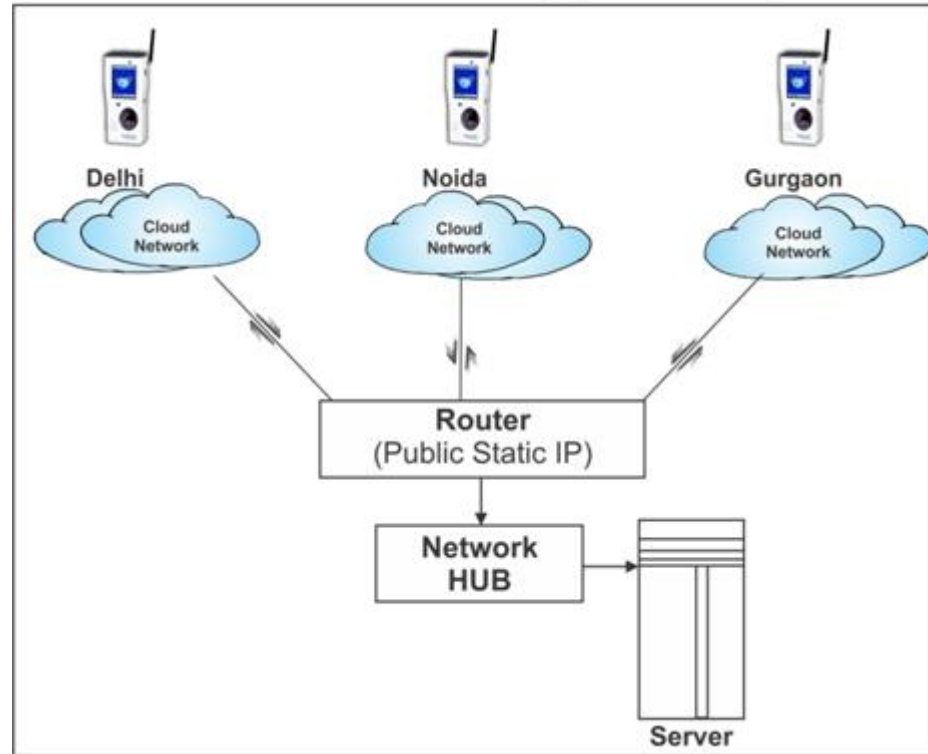
Wired Connectivity

Internal Connectivity (Ethernet)

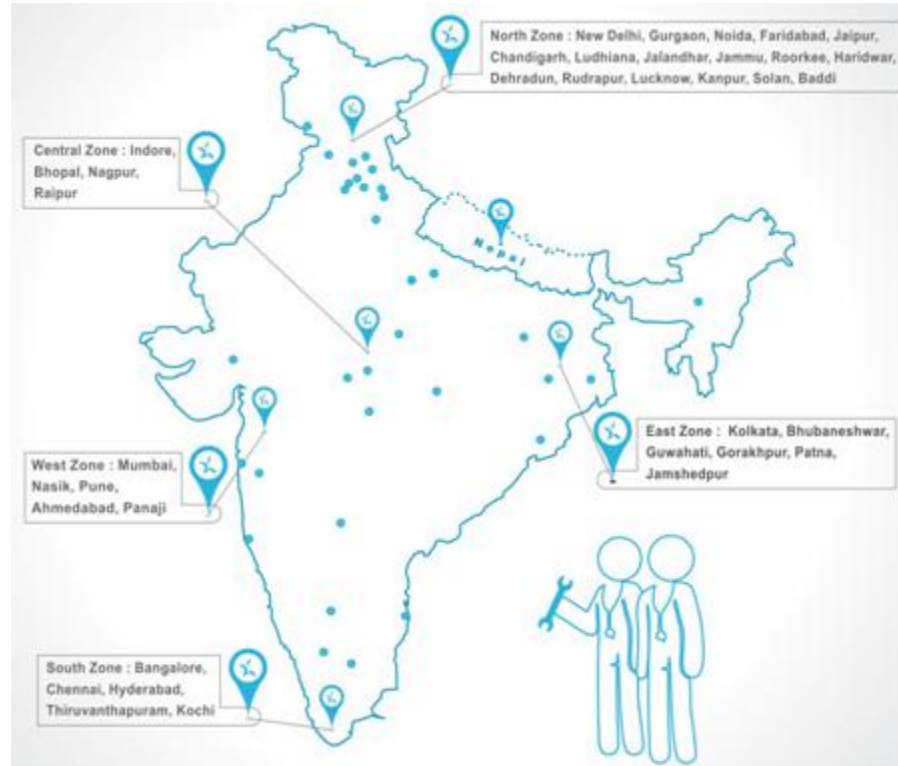


Wireless Connectivity

Wireless Connectivity (GPRS/Wifi)



Service & Support



STAR LINK - Member of ESAI

STAR LINK (ISO 9001:2015) has been registered in **ELECTRONIC SECURITY ASSOCIATION OF INDIA** as a leading manufacturer of Biometric Devices.



**ELECTRONIC SECURITY
ASSOCIATION OF INDIA**

ID - MA0280DL

Conclusion

Bio-TRACK is a handheld device with every latest technology incorporated in it. Designed basically for mobile workforce management. Its sleek design allows it to carry from one place to another with ease.

Wi-Fi, GPRS and GPS enabled Bio-TRACK with touchscreen helps the user to use it in various purposes. The versatility of this device makes it proficient and effective in delivering its purpose.

For Any Biometric Needs

Contact US:-

Star Link Communication Pvt Ltd
D-88/4, Okhla Phase I, Okhla Industrial Area,
New Delhi-110020
Phone: 011 4059 8888(100 Lines)
Email:sales@starlinkindia.com
Toll Free No. 1800-11-8088

Social Media



<https://www.facebook.com/starlinkcompvtltd/>



<https://www.linkedin.com/company/starlink-communications-pvt-ltd/>



<http://starlinkindia.blogspot.com/>



<https://twitter.com/starlinkindia>



<https://www.instagram.com/starlinkindia/>



<https://www.youtube.com/c/StarlinkIndiabiometricsaccesscontrol>



<https://in.pinterest.com/starlinkindia/>



<https://starlinkindia.hubbopper.com/>

THANK YOU !!!