



Classic Model

Introduction

Experience the new world of biometrics with Classic Model, which is exquisitely made to serve your purpose of attendance management system and access control. Made with latest technological array including unmatched features make it a perfect biometric device.

The Classic Model have the recording capacity of 65,000 records with up to 9,560 finger templates (that can be extended up to 25,000 for 1:1 matching). It can be installed in any kind of set-up where you want to maintain the attendance record of employees. It can be linked with software that also helps you to manage the payroll and other softwares(leave, visitor, attendance management, tea/coffee vending machine, canteen management, etc.).

Featuring a 16 characters x 2 rows of display, which show the details of the employee during punching. Additionally, any kind of customization can be done to serve the purpose of clients.

Features

LCD Display – 16 characters/2 rows

32 bit ARM micro processor

8 Digit Alphanumeric card number

Capacity of 65,000 records

Up to 25,000 finger template storage

Built-in 10/100 Mbps Ethernet TCP/IP connectivity

Multiple operational modes

Customization possible (as per the requirement)

Specifications(depending on operational mode)

Reader Type	SMART CARD	PROXIMITY CARD	FINGERPRINT
Model No.	SC – 06	PC – 06	FP - 06
Processor	32 Bit RISC	MC 32 Bit RISC	MC 32 Bit RISC MC
Card Type	Mifare 1K, 4K	EM Card 512 Byte	EM Card / Mifare
Read Range	Up to 60 mm	Up to 120 mm	Up to 60 / 120 mm
Frequency / Modulation	13.56 Mhz.	125 Khz.	125 Khz / 13.56 Mhz.
Identification Time	Less than 1 sec.	Less than 1 sec.	Less than 1 sec.
Display	LCD 16 x 2 Character	LCD 16 x 2 Character	LCD 16 x 2 Character
Memory Transaction	62,500 records	62,500 records	62,500 records
Card Masking	15,000 records	15,000 records	9,500 / 6,500 records
Communication Mode	RS 232, TCP/IP	RS 232, TCP/IP	RS 232, TCP/IP
Operating Temperature	5 to 50 degree Celsius	5 to 50 degree Celsius	5 to 50 degree Celsius

Reader Type	SMART CARD	PROXIMITY CARD	FINGER PRINT
Operating Humidity	10 to 90%	10 to 90%	10 to 90%
Operating Voltage	DC 12V, 500 mA	DC 12V, 500 mA	DC 12V, 500 mA
Dimension (in mm)	H=183, W=131, B=58	H=183, W=131, B=58	H=183, W=131, B=58
Weight	600 gms.	600 gms.	600 gms.
Keypad	4 x 4 Keypad	4 x 4 Keypad	4 x 4 Keypad
Audio/Video Indicators	Buzzer / LED	Buzzer / LED	Buzzer / LED

Operational Modes

- Only finger
- Only card
- Finger in card
- Card with Password
- PIN
- Password
- Card with finger



Fingerprint Scanner

Sensor Technology: Optical CMOS

Sensing Area: 16.0mm × 19.0mm

Image Size (Pixels): 272 × 320

Image Resolution: 500 dpi

Finger Verification Option: 1:N (Only Finger)

Finger Template Size: 384 bytes.

EER < 0.1%

Enrollment Time: 1~1.5 Sec

Verifications < 0.8 Sec

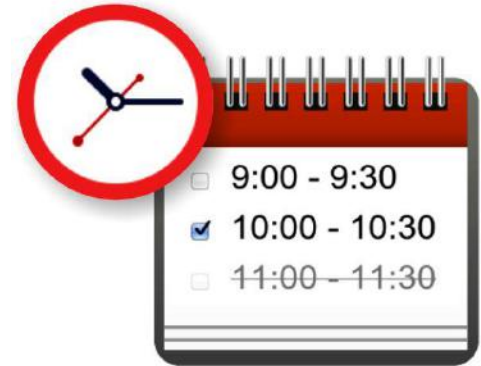
Identification Time: 1~1.5 Sec

FingerPrint storage: 25,000



Time Zone

Time Zone is one of the feature which helps to restrict the acceptance of transaction in that time interval. It is normally used in Canteen management system and tea/coffee vending machine. The time zone can be managed through Data Capture software and as a whole 10 time zones can be assigned with different time intervals.



Remote Device Management

Remote Device Management allows us to manage the devices installed at multiple location with ease. Without physical manipulation, Classic Model allows user to do certain things through “**web-based management module**” which eases the operation of device. Also, you can manage device location wise, dept. wise etc.

- Finger Enrolment from any location
- Addition/Deletion of USER list
- Change password of Device
- Data Deletion
- Date-Time Set
- Sending finger through server
- Multiple location device management
- 2-way communication through Static IP



Other Utilities of Classic Model



Access Control with Classic Model

Access Control is installed in office to restrict the unwanted movements.

Access Control Systems are made of three important mechanisms: a lock, the locks and the access device.

Classic Model can be used as an access device for successful operation. It also generates "IN and OUT" report for maintenance of records.



Hooter Interface with Classic Model

Hooter interface is used to be connected with alarm or hooter that can be fixed through the biometric device, which is used for attendance. Classic Model can be used for accurate and precise working. It is basically an interface, connected through the serial port with Classic Model.



Guard Tracking with Classic Model

Classic Model can be used for Guard Tracking application. These devices are installed at certain check-points in the periphery of the company, where guards make some transaction in fixed time intervals.

It generates the report of each transaction done in every machine. You have to use Smart card for the easier operation of this system.



Tea/Coffee Vending Management

Classic Model can be used in Tea/Coffee vending management, as time zone comes into action in its operation. You can limit the usage of Tea/Coffee vending machine according to policy on the basis of employee/department/group. Also, you can recharge the prepaid/postpaid card through this system.



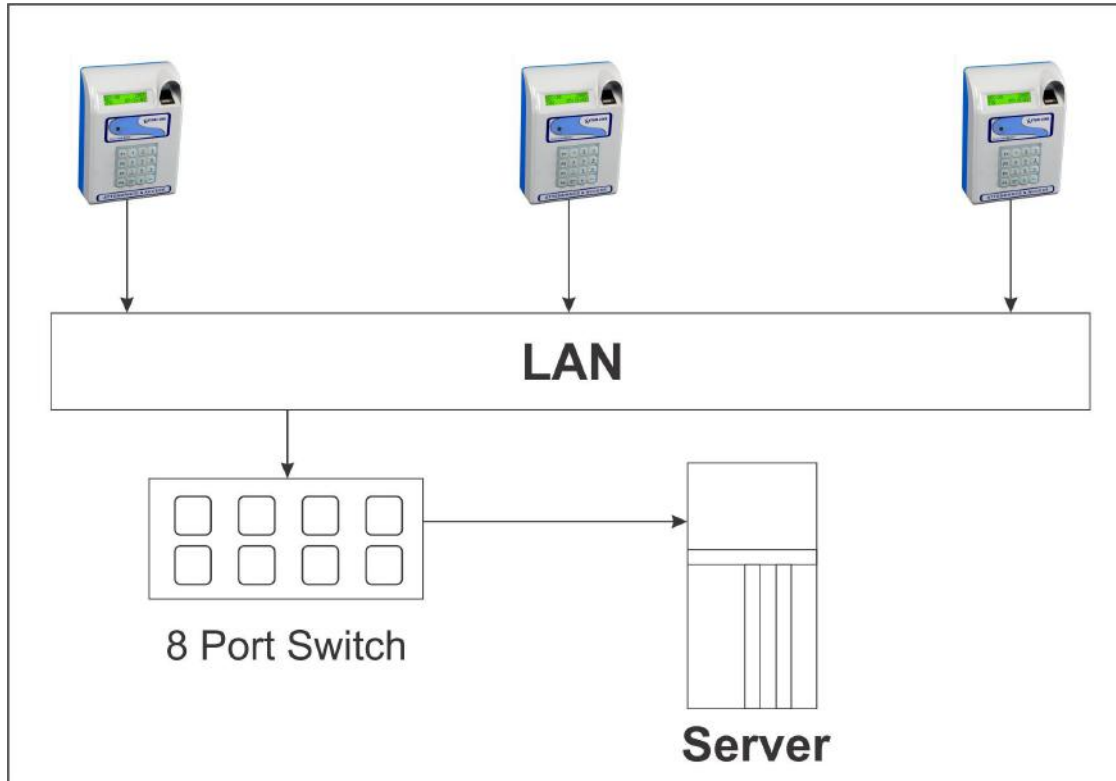
Canteen Management System

Keeping in mind about many complexities related to the management of employees in Canteen area, STAR LINK has designed Canteen Management System, which is a perfect solution for the management of canteen facilities for employee.

It restricts the unauthorized usage of canteen facility. This software helps to automate the process and make it transparent. It reduces the chaos created during the lunch or dinner timing, helping to manage the service swiftly.



Wired Connectivity Layout



Service & Support



STAR LINK - Member of ESAI

STAR LINK (ISO 9001:2008) has been registered in **ELECTRONIC SECURITY ASSOCIATION OF INDIA** under leading manufacturer of Biometric Devices.



**ELECTRONIC SECURITY
ASSOCIATION OF INDIA**

ID - MA0280DL

Conclusion

In a nutshell, if you are looking to implement attendance system in your office premises, just go on for Classic Model. It has been designed to serve its purpose effectively in workforce management. Equipped with every latest features and technologies, Classic Model stands tall in performance and efficiency. And, the incredible service and support makes the system even more proficient in output.

For Any Biometric Needs

Contact US

Star Link Communication Pvt Ltd

D-88/4, Okhla Phase I, Okhla Industrial Area,
New Delhi-110020

Phone: 011 4059 8888(100 Lines)

Email: **sales@starlinkindia.com**

Toll Free No. **1800-11-8088**

THANK YOU

